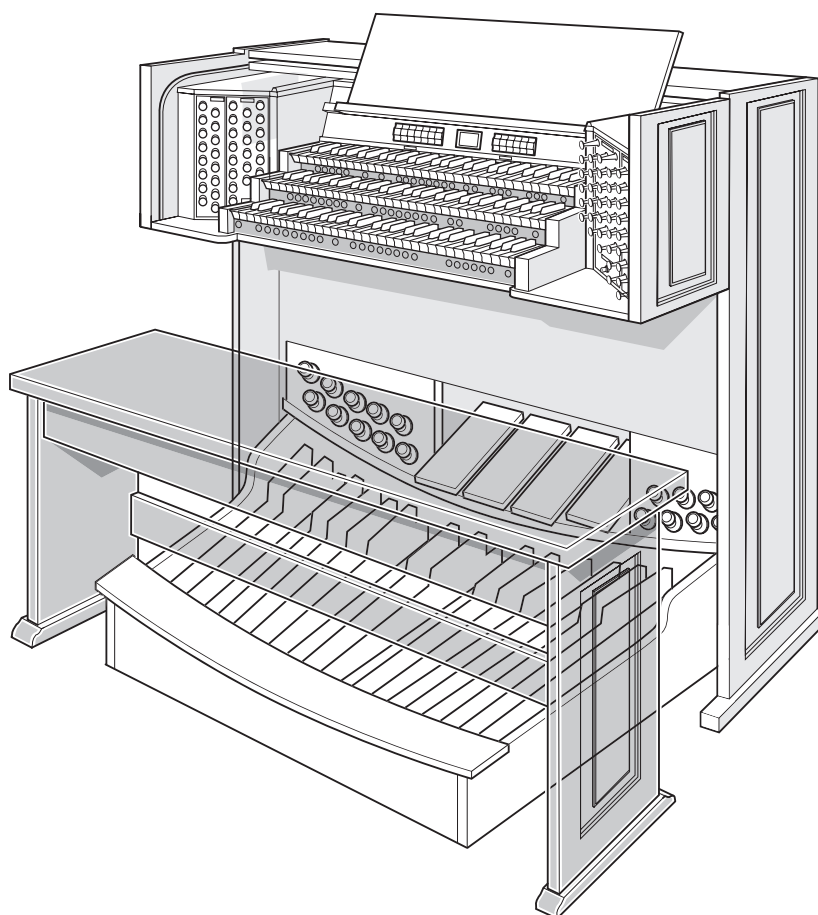

USER MANUAL JOHANNUS REMBRANDT

377, 397 AND 497 AGO



Manufacturer	Johannus Orgelbouw b.v.
Address	Keplerlaan 2 6716 BS EDE
Country	The Netherlands
Telephone	+31 (0)318 63 74 03
Fax	+31 (0)318 62 22 38
E-mail	inform@johannus.com
Website	www.johannus.com
Version	1.0
Date	February 2007

© 2007, **Johannus Orgelbouw b.v.**

All rights reserved. Nothing in this publication may be reproduced, stored in a data file or made public in any form or in any way either electronically, mechanically by way of photocopying, recording or in any other way without the prior written permission of Johannus Orgelbouw b.v.

TABLE OF CONTENTS

1	SAFETY	5
1.1	Safety precautions	5
1.2	Symbols on the organ	5
1.3	Symbols in the manual	5
2	INSTALLATION	6
2.1	Placement and connection	6
2.2	Placing the music desk	7
2.3	Switching on	7
2.4	Transport and storage	8
2.5	Opening and closing the rolltop cover	8
3	DESCRIPTION OF THE ORGAN	9
3.1	Overview of the main components	9
3.2	Overview of Rembrandt 377 and 397 controls	10
3.3	Overview of Rembrandt 497 controls	11
3.4	Overview of the toe studs Rembrandt 377 AGO	12
3.5	Overview of the toe studs Rembrandt 397 AGO	12
3.6	Overview of the toe studs Rembrandt 497 AGO	13
3.7	Connecting and switching on the accessories	13
3.8	External connections	14
3.9	External loudspeaker output	15
4	OPERATION	16
4.1	Expression pedals	16
4.2	Acoustics	16
4.3	Intonations	16
4.4	Factory intonation	17
4.5	Stops	17
4.6	Couplers	18
4.7	Accessories	18
4.8	Changing the registration	19
4.9	Memory lock	19
4.10	Preprogrammed memory locations	19
4.11	Easy Menu	20
4.11.1	Capture memory	20
4.11.2	General Volume	21
4.11.3	Transposer	21
4.11.4	Tuning Mode	22
4.11.5	Temperaments	22
4.11.6	Keyboard Mode	23
4.11.7	Reset Procedures	25
4.11.8	Data Dump Mode	25
4.11.9	Demo Songs	25
4.11.10	Standard Intonation	26

4.11.11	General Crescendo	27
4.11.12	Programming MIDI stops	28
5	MAINTENANCE, PROBLEMS AND WARRANTY	29
5.1	Maintenance	29
5.1.1	Cabinet maintenance	29
5.1.2	Maintenance of the manuals	29
5.2	Problems	29
5.2.1	Repositioning the pedal	30
5.3	Warranty	30
6	MIDI IMPLEMENTATIONS	31
6.1	MIDI Implementation Chart	31
6.2	MIDI specifications	32
6.2.1	Default basic channels (transmitted/recognized)	32
6.2.2	Basic channel changes (transmitted)	32
6.2.3	Control changes (transmitted)	33
6.2.4	Control changes (recognized)	33
6.2.5	Program changes (transmitted/recognized)	33
6.2.6	System exclusive messages (transmitted/recognized)	33
	INDEX	35

1 SAFETY

1.1 Safety precautions



- Place the organ on a stable, horizontal surface.
- Connect the organ to an electrical outlet with an earth connection.
- Switch the organ off when it is not in use.
- Do not place the organ in a damp area.
- Do not expose the organ to liquids.
- Follow the instructions and precautionary measures in this user manual.
- Keep this user manual with the organ.
- The organ may only be opened by a technician authorised by Johannus Orgelbouw b.v. The organ contains static-sensitive components. The warranty becomes null and void if the organ is opened by a non-authorised person.

1.2 Symbols on the organ



Warning



Warning for electric shock



Warning for static-sensitive components

1.3 Symbols in the manual



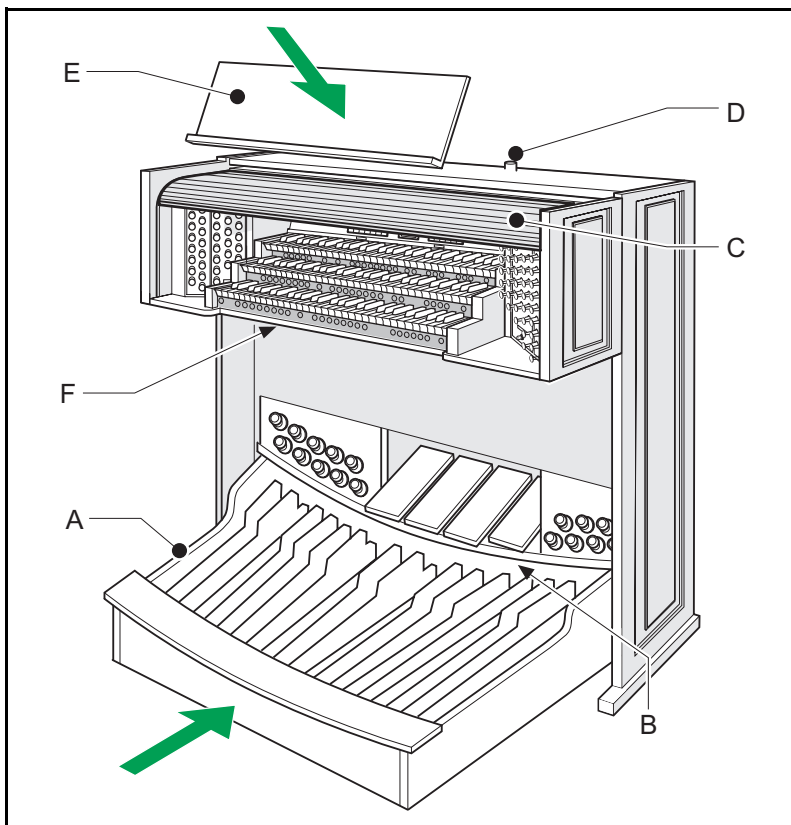
Warning or important information



Note

2 INSTALLATION

2.1 Placement and connection



1. Place the organ on a stable, horizontal surface.
2. Lean the organ slightly backward.
3. Slide the pedalboard (A) against the organ (B).
4. Set the organ upright.
5. Place the music desk (E), see § 2.2.
6. Place the organ bench over the pedalboard.
7. Make sure the voltage of the organ matches the voltage of the mains.
See the serial plate (F).
8. Connect the organ to an electrical outlet with an earth connection.
9. Put the appropriate key in the rolltop cover lock (D).
10. Turn the key a quarter turn to the left.
11. Slide the rolltop cover (C) upward.

2.2 Placing the music desk

Before placing the music desk, check that the electrical cord of the lamp is connected to the music desk. If not, contact your dealer.



Do not connect the electrical cord yourself. You can get injured and cause damage to the organ.

There are two ways to place the music desk on the organ, depending on the model organ that you have.

Placing the music desk with a Rembrandt 377

1. Unfold the fastening rods at the rear of the music desk.
2. Slide the fastening rods into the appropriate openings on top of the organ.
3. Connect the electrical cord to the socket.

The height of the music desk can be set as follows:

1. Squeeze the handles at the rear of the music desk and, at the same time, slide the music desk to the desired height.
2. Release the handles to fix the height of the music desk.

Placing the music desk with a Rembrandt 397 or 497

1. Place the music desk in the appropriate slots. These slots are in the outside of the cabinets with drawstops.
2. Connect the electrical cord to the socket.



Fold the music desk forward to close the rolltop cover.

2.3 Switching on

Switch on the organ with the on/off piston at the right, next to the manuals. Wait several seconds. Starting the control functions and the settings takes a little time.

The lamps of the on/off and 0 pistons light and the settings appear on the display.

Switch on the light of the music desk with the on/off switch at the rear of the music desk.

2.4 Transport and storage

Pay attention to the following during transport and storage:

- Remove the music desk and the pedalboard from the organ.
- Relative humidity within the storage area: 10 to 90%.

2.5 Opening and closing the rolltop cover

The organ can be closed with a wooden rolltop cover that has a lock. The rolltop cover lock is behind the music desk.

Opening

1. Put the appropriate key in the rolltop cover lock.
2. Turn the key a quarter turn to the left. The lock now rises out of the rolltop.
3. Slide the rolltop cover upward.

Closing

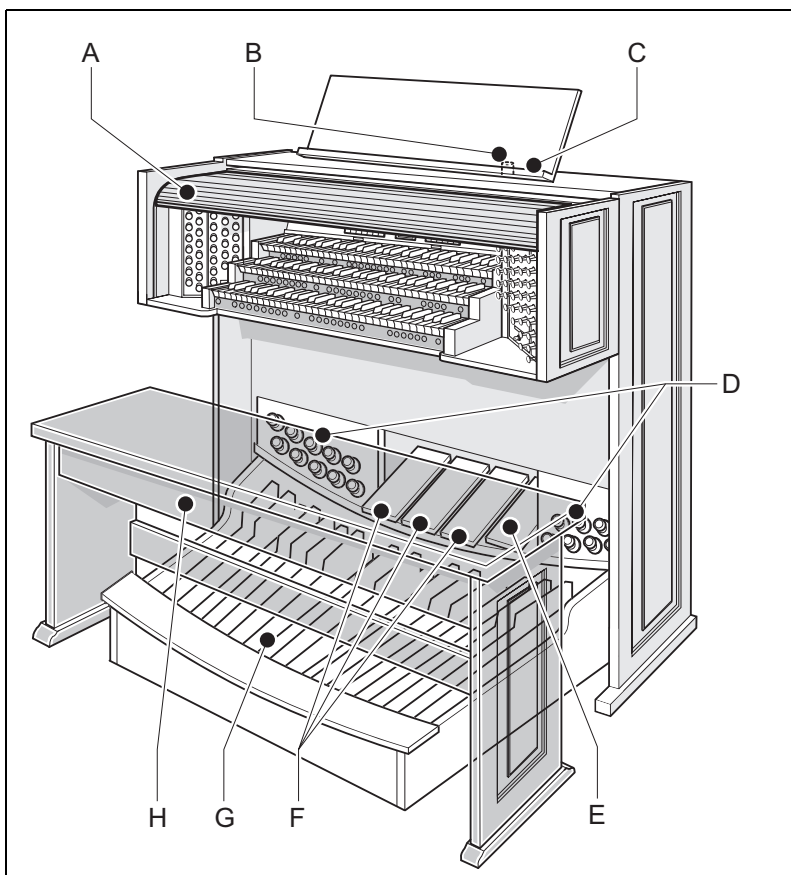


Never leave the key in the area that can be closed.

1. Slide the rolltop cover downward.
2. Press the rolltop cover lock in.
3. Turn the key a quarter turn to the right.

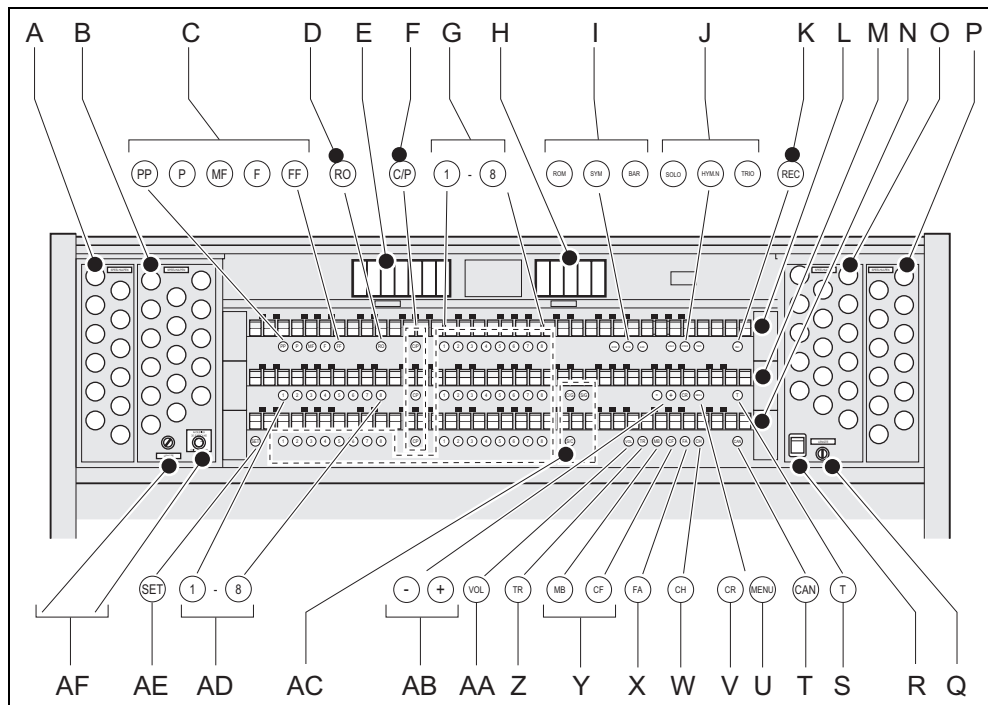
3 DESCRIPTION OF THE ORGAN

3.1 Overview of the main components



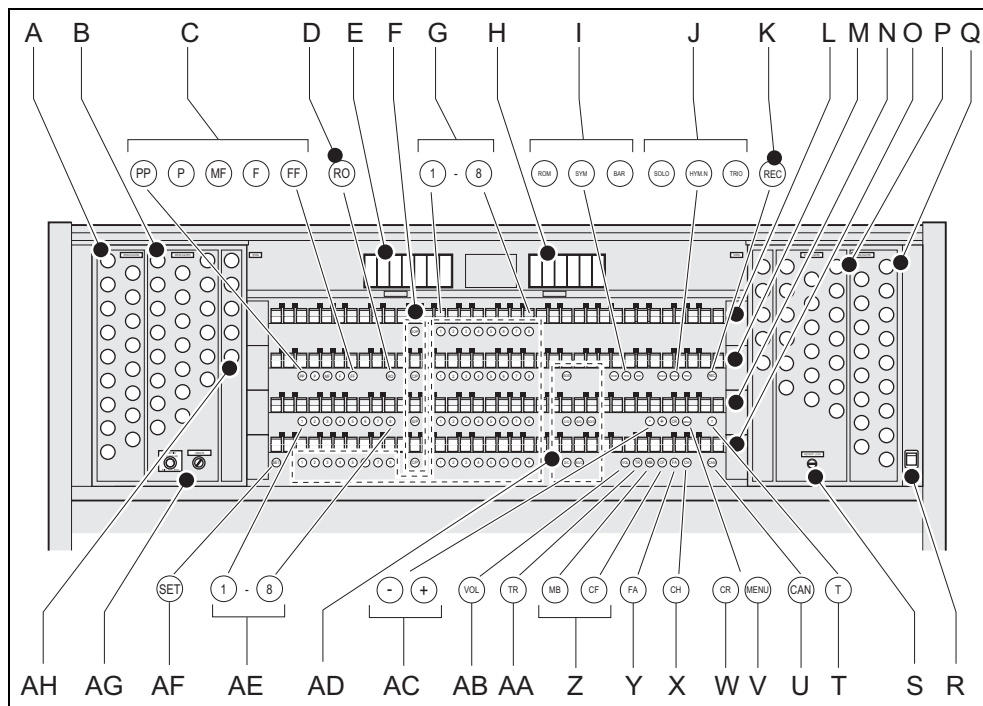
- | | | | |
|---|--------------------|---|-------------------|
| A | Rolltop cover | E | General Crescendo |
| B | Rolltop cover lock | F | Expression pedals |
| C | Music desk | G | Pedalboard |
| D | Toe studs | H | Organ bench |

3.2 Overview of Rembrandt 377 and 397 controls



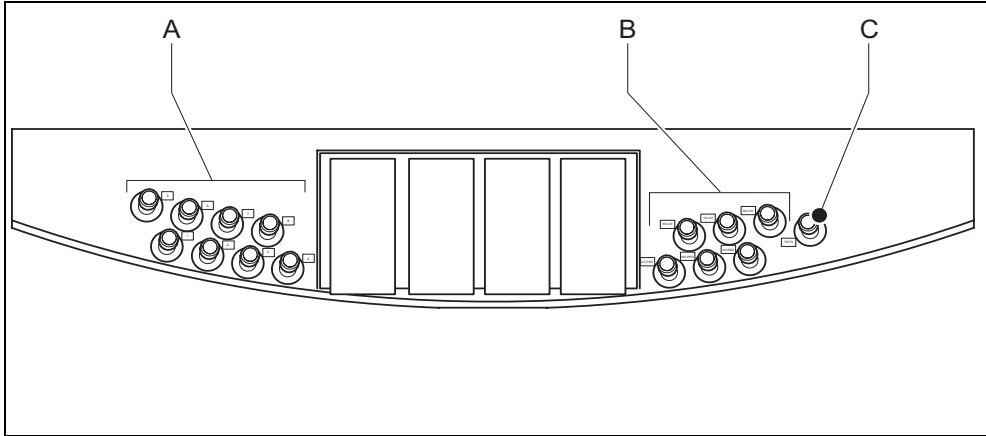
- | | | | |
|---|------------------------------|----|--|
| A | Pedal stops | Q | Memory lock |
| B | Swell stops | R | On/off |
| C | Preprogrammed memory | S | Tutti |
| D | Reeds Off accessory | T | Cancel (CAN) |
| E | Orchestra | U | MENU |
| F | Pedal couplers | V | General Crescendo |
| G | Capture memory (Divisionals) | W | Chorus |
| H | Accessories | X | Fixed Accessories |
| I | Main group intonations | Y | Manual Bass and Cantus Firmus couplers |
| J | Sub group intonations | Z | Transposer |
| K | Recall (REC) | AA | Volume |
| L | Manual Swell | AB | - and + pistons |
| M | Manual Great | AC | Manual couplers |
| N | Manual Choir | AD | Capture memory (Generals) |
| O | Great stops | AE | SET/Enter |
| P | Choir stops | AF | Acoustics |

3.3 Overview of Rembrandt 497 controls



- | | | | |
|---|------------------------------|----|--|
| A | Pedal stops | R | On/Off |
| B | Swell stops | S | Memory lock |
| C | Preprogrammed memory | T | Tutti |
| D | Reeds Off | U | Cancel (CAN) |
| E | Orchestra | V | MENU |
| F | Pedal couplers | W | General Crescendo |
| G | Capture memory (Divisionals) | X | Chorus |
| H | Accessories | Y | Fixed Accessories |
| I | Main group intonations | Z | Manual Bass and Cantus Firmus couplers |
| J | Sub group intonations | AA | Transposer |
| K | Recall (REC) | AB | Volume |
| L | Manual Solo | AC | - and + pistons |
| M | Manual Swell | AD | Manual couplers |
| N | Manual Great | AE | Capture memory (Generals) |
| O | Manual Choir | AF | SET/Enter |
| P | Great stops | AG | Acoustics |
| Q | Choir stops | AH | Solo stops |

3.4 Overview of the toe studs Rembrandt 377 AGO

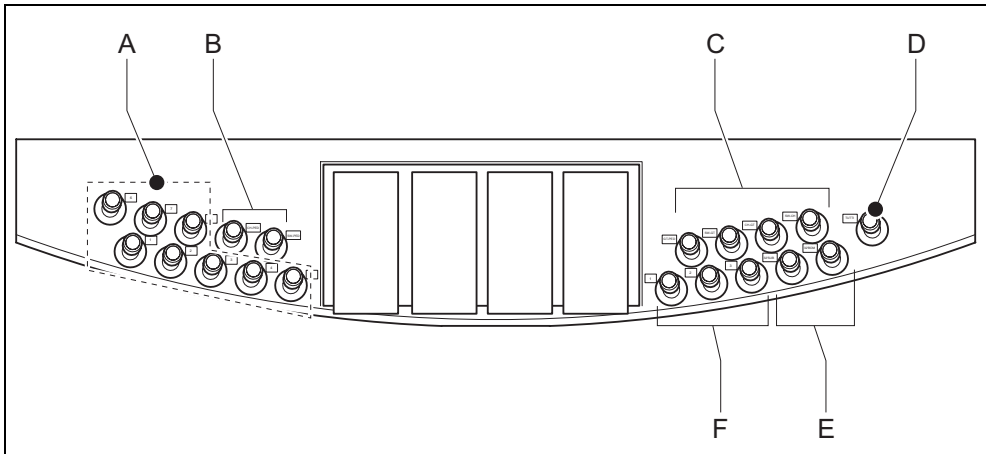


A Generals (8 x)

B Reversible couplers (6 x)

C Tutti (1 x)

3.5 Overview of the toe studs Rembrandt 397 AGO



A Generals (8x)

D Tutti (1x)

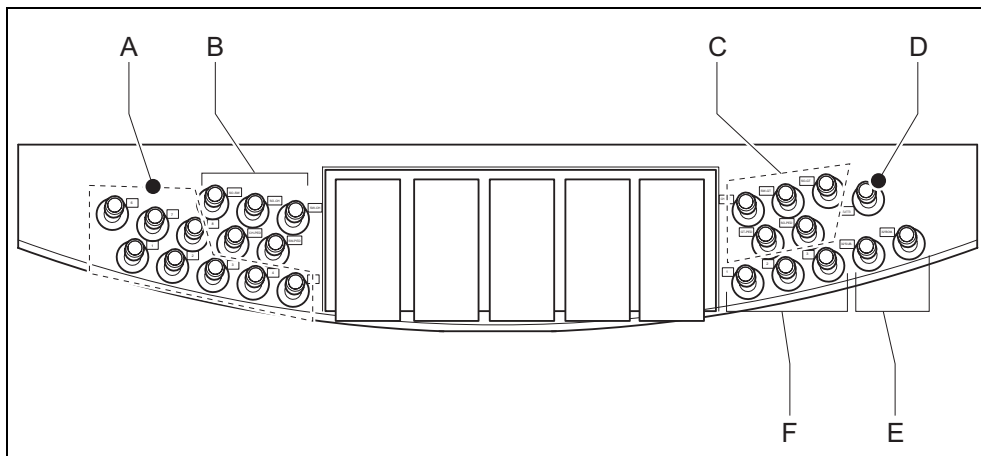
B Reversible Coupler (2x)

E Reversible 32' (2x)

C Reversible Coupler (4x)

F Pedal division (3x)

3.6 Overview of the toe studs Rembrandt 497 AGO



- | | | | |
|---|-------------------------|---|---------------------|
| A | Generals (8x) | D | Tutti (1 x) |
| B | Reversible Coupler (5x) | E | Reversible 32' (2x) |
| C | Reversible Coupler (5x) | F | Pedal division (3x) |

3.7 Connecting and switching on the accessories

You can connect accessories (for example, a MIDI device) to the organ.

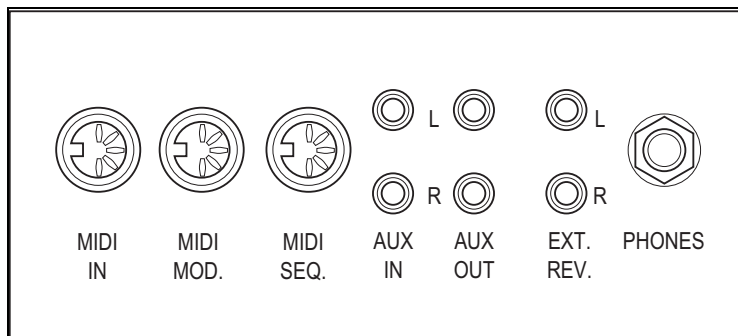


Follow the instructions provided in the documentation for the accessory.

1. Switch off the organ and the accessory.
2. Connect the accessory to the organ.
3. Switch the accessory on.
4. Switch the organ on.

3.8 External connections

The external connections are on the left under the console.



- **MIDI IN:** This is an input for receiving MIDI codes from other devices.
- **MIDI MOD.:** This is a programmable MIDI output for connecting a module or expander, for example.
- **MIDI SEQ.:** This is a non-programmable MIDI output for connecting a sequencer or PC (with the optional Johannus Intonat program), for example.
- **AUX IN:** This is a (stereo) input for playing the sound of an external device through the amplifiers of the organ. For example, an expander that is connected to the organ through the MIDI MOD. can be played through the instrument's loudspeakers.



The volume of the device that is connected through the AUX IN cannot be adjusted with the general volume or the expression pedals. However, this is possible if the volume setting of the external device is controlled by means of MIDI codes through the MIDI MOD. connection of the instrument.

- **AUX OUT:** This is an output for connecting an external (stereo) amplifier.
- **EXT. REV.:** This is an output for connecting Johannus external acoustics. This is a system that imitates the spatial effect of a concert hall or cathedral.



Do not use this output for other purposes.

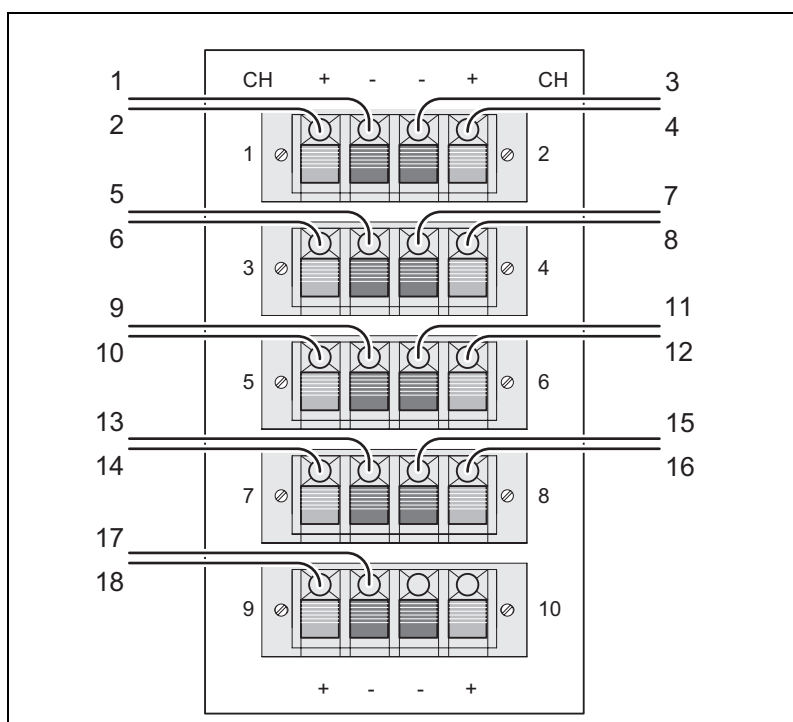
- **PHONES:** This connection for a (stereo) headphone is suited for a headphone with an impedance of 30 Ω or higher (see headphone specifications).



When the headphone is used, the internal and/or external loudspeakers of the organ are automatically switched off.

3.9 External loudspeaker output

The external loudspeaker output (8 Ω) is situated at the rear of the organ. The loudspeaker connector board provides the possibility to connect external loudspeaker boxes to the organ. The number of connectors vary, depending on the type of organ. Connect the loudspeaker cables to the connectors of the loudspeaker output.



4 OPERATION

4.1 Expression pedals

Expression pedals adjust the volumes of the different Solo stops (Solo is only possible with an organ that has four keyboards), Choir (Choir is only possible with an organ that has three keyboards), Great stops/Pedal and Swell.

The level indicators in the display show how much the expression pedals are pressed and thereby indicate the level of volume.

4.2 Acoustics

The acoustics rotary controls produce a digital acoustic effect. This effect provides a spatial reproduction of the organ sound that can be adjusted smoothly.

- Turn the left-hand rotary control in for the volume of a 2D echo (standard echo for clearer and more transparent sound).
- Turn the right-hand rotary control for the length of a 2D echo. Pull out the switch on the rotary control for a 3D echo (extra addition to the echo for a fuller sound).

4.3 Intonations

The intonations are divided into a main group and a subgroup.

The main group consists of:

- **Romantic (ROM)**
- **Symphonic (SYM)**
- **Baroque (BAR)**

The subgroup consists of:

- **Classic**
- **Solo (SOLO)**
- **Hymn (HYMN)**
- **Trio (TRIO)**

1. Select a main group by pressing the ROM, SYM or BAR piston.
2. Then select a subgroup by pressing the SOLO, HYMN or TRIO piston.



If no subgroup is chosen, Classic is automatically selected.

4.4 Factory intonation

Save the intonation settings



In order to save the intonation settings, you need the Johannes intonation programme.

1. Connect a PC to the organ. Use the MIDI SEQ. output, see § 3.8.
2. Save the intonation settings on the PC using the intonation programme of Johannes.

Restore the factory intonation



The current intonation settings will be lost if the settings are not saved on a PC.

1. Switch off the organ.
2. Press pistons 1 and 8. Hold the pistons.
3. Switch on the organ.
4. Wait until the lamp in the Cancel piston lights up.
5. Release pistons 1 and 8.

4.5 Stops

The stops are activated by means of draw stops or through the capture memory. See § 4.11.1. The lamp in the draw stop is lit when the associated stop is active.

The stops have been divided into four main groups:

- **Pedalboard:** Activates the stops associated with the pedalboard.
- **Great:** Activates the stops associated with the Great.
- **Swell:** Activates the stops associated with the Swell.
- **Choir:** Activates the stops associated with the Choir (only with an organ that has three keyboards).
- **Solo:** Activates the stops associated with Solo (only with an organ that has four keyboards).

4.6 Couplers

- **Manual coupler:** Fully couples all keys of the Swell to the Great. Activate the manual coupler through the following stops:
 - Swell - Great;
 - Choir - Great (only with an organ that has three keyboards);
 - Swell - Choir (only with an organ that has three keyboards);
 - Choir - Solo (only with an organ that has four keyboards);
 - Great - Solo (only with an organ that has four keyboards);
 - Swell - Solo (only with an organ that has four keyboards).
- **Pedal coupler:** Fully couples all keys of the Great or the Swell to the pedal. Activate a pedal coupler through the following stops:
 - Great - Pedal;
 - Swell - Pedal;
 - Choir - Pedal (only with an organ that has three keyboards);
 - Solo - Pedal (only with an organ that has four keyboards).
- **Manual Bass (MB):** Couples the pedal monophone to the Great. Only the lowest note that is played on the Great is coupled from the pedal to the Great. Use the MB piston to activate the Manual Bass.
- **Cantus Firmus (CF):** Couples the Swell monophone to the Great. Only the highest tone played on the Swell is coupled to the Great. Use the CF piston to activate the Cantus Firmus.
- **Reversible coupler:** Press the reversible coupler to invert the status of a coupler: on or off.
- **Reversible 32':** Reversible coupler for the 32' pedalboard stops.

4.7 Accessories

- **Chorus (CH):** Is a function for lightly detuning the organ stops to give it a broader and livelier sound. Use the CH piston to activate the Chorus.
- **Fix Accessories (FA):** This is a function for fixing accessories. As long as this piston is active, the couplers and tremulants can only be switched on and off manually.
- **Reeds Off (RO):** This is a function to switch off all reeds simultaneously. As long as this piston is pressed, no reeds can be activated. When this function is switched off, the reeds that were on are activated again. Activate the Reeds Off function using the RO piston.
- **General Crescendo (CR):** This is a function for switching the General Crescendo on and off. See § 4.11.11.

-
- **All swells to swell:** Combines all expression pedals to the Swell expression pedal.
 - **Antiphonal:** Normally the entire organ sounds through the main loudspeaker system. You can switch one or more divisions to the antiphonal loudspeaker system with the Antiphonal function.

4.8 Changing the registration

The registrations can be cancelled in two ways:

- Press the Recall piston (REC): Only the last change is cancelled.
- Press the Cancel piston (CAN): All registrations are cancelled.

4.9 Memory lock

The memory lock protects your settings.

1. Turn the key switch to the right to set the memory to 'open'. The SET piston lights.
2. Turn the key switch to the left to set the memory to 'closed'. The SET piston goes out.



As long as the memory lock is closed, it is not possible to save new settings in the memory.

4.10 Preprogrammed memory locations

Preprogrammed memory locations are available by operating pistons PP to T. These six memory locations have factory settings (presets) appropriate for the quiet pianissimo to the loud tutti.

Calling up a preprogrammed memory location

1. Press a preprogrammed memory location (PP-T) in. The active stops light up.

Programming a preprogrammed memory location



The current setting of the preprogrammed memory location will be lost.



The programming of a preprogrammed memory location is limited to the text on the piston. For example, it is not advisable to program a pianissimo registration under the tutti piston.

-
1. Check that the key switch is to the right.
 2. Select the desired stops.
 3. Push the SET piston in. Hold the piston down.
 4. Press the desired preprogrammed memory location (PP-T) in.
 5. Release the preprogrammed memory location piston (PP-T).
 6. Release the SET piston.

4.11 Easy Menu

The Easy Menu is an operating system whose settings can be read on the display. The Easy Menu is operated with the - and + pistons, the SET and the MENU pistons.



The functions in the Easy Menu can only be selected when the memory lock is open. This can be seen on the SET piston. If this is not lit, the memory lock is closed.

The Easy Menu consists of the following functions:

- Capture memory (directly accessible)
- Generaal volume (directly accessible)
- Transposer (directly accessible)
- Tuning Mode
- Temperaments
- Programming your own temperament
- Keyboard Mode
- Reset Procedures
- Data Dump
- Demo Songs
- Standard Intonation
- General Crescendo
- Programming MIDI stops
- 40 extra orchestrals (CSM)

4.11.1 Capture memory

By using the capture memory, a registration can be activated with just one piston. The capture memory consists of 100 levels. Each level has 8 memory locations. These levels can be seen on the display (Mem: . .). The 800 capture memory locations are empty at the start and can be programmed by the musician.

There is a capture memory option for the entire organ (General) and for each separate division (Divisionals). You can call up 800 capture memory locations per division.

Programming a capture memory location



The current setting of the capture memory location will be lost.

1. Select the desired stops.
2. Use the - and + pistons to select a level (1-100) on the display.
3. Press the SET piston. Hold the piston down.
4. Push the desired memory location (1-8) in.
5. Release the SET piston.

Calling up a capture memory location

1. Use the - and + pistons to select the desired level (1-32) on the display.
2. Push the desired memory location (1-8) in. The active stops light up.

4.11.2 General Volume

The set volume can be read on the display (Vol: . .).



The volume can only be programmed when the VOL. piston is lit.

1. Push the VOL piston in.
2. Use the - and + pistons to set the volume.
3. Press the SET piston to save the volume in the memory.



The volume change is in the memory. When the organ is switched on again, the programmed volume will be active.

4.11.3 Transposer

The Transposer function shifts the pitch by half-tone increments (from -8 to +8). The set pitch can be read on the display (Trans: . .).



The pitch can only be programmed when the TRANS. piston is lit.

Changing the transposer

1. Push the TRANS piston in.
2. Use the - and + pistons to set the pitch.



The pitch shift is not stored in memory. When the organ is switched on again, the most recently programmed pitch will be active.

Programming the transposer

1. Push the TRANS piston in.
2. Use the - and + pistons to set the pitch.
3. Press the SET piston.



The pitch shift is stored in memory.. When the organ is switched on again, the programmed pitch will be active.

4.11.4 Tuning Mode

The Tuning Mode function shifts the pitch in fourteen steps of 1 Hz (from 426 Hz to 454 Hz). The set pitch can be read on the display.

Programming the Tuning Mode

1. Push the MENU piston in.
2. Use the - and + pistons to select the `Tuning Mode` function on the display.
3. Push the SET piston in. The display shows the current tuning settings (`Adjust Tune: ...Hz`).
4. Use the - and + pistons to set the desired pitch.
5. Push the SET piston in. The selected settings are stored in the memory and you return automatically to the main menu.
6. Press the MENU piston in to exit the Easy Menu.

4.11.5 Temperaments

The Temperaments function sets the temperament.



This setting cannot be saved. When the organ is switched on again, this is automatically at Equal.

1. Press the MENU piston.
2. Use the - and + pistons to select the `Temperaments` function on the display.
3. Press the SET piston. The display shows the current temperament.

-
4. Use the - and + pistons to select the desired temperament.



You can choose from twelve temperaments:

- **Equal:** Normal or equal temperament
- **Young II**
- **Vallotti**
- **Kirnberger II**
- **Kirnberger III**
- **Neidhardt III**
- **Werckmeister III**
- $\frac{1}{6}$ **Meantone:** Meantone temperament
- $\frac{1}{5}$ **Meantone:** Meantone temperament
- $\frac{1}{4}$ **Meantone:** Meantone temperament
- **Pythagorean**
- **Custom**

5. Press the MENU piston to return to the main menu.
6. Press the MENU piston again to exit the Easy Menu.

4.11.6 Keyboard Mode

The Keyboard Mode function sets the operation of the keys.



This function is not available with organs that have wooden keyboards.

1. Press the MENU piston.
2. Use the - and + pistons to select the `Keyboard Mode` function on the display.
3. Press the SET piston. The display shows the current manual setting of one of the manuals.
4. Use the - and + pistons to select the manual the setting of which must be changed.



- **Solo:** Solo (only with an organ that has four keyboards)
- **Choir:** Choir (only with an organ that has three keyboards)
- **Great:** Great
- **Swell:** Swell

5. Press the SET piston.
6. Use the - and + pistons to select a setting for the operation of the keys.



- **High:** The keys respond when they are touched very lightly.
- **Low:** The keys respond when they are pressed further.
- **Velocity:** The keys are force-sensitive.

-
7. Press the SET piston. The manual setting is now saved in the memory.
 8. Press the MENU piston to return to the main menu.
 9. Press the MENU piston again to exit the Easy Menu.

4.11.7 Reset Procedures

The Reset Procedures function is used to delete the capture memory, or to reset a number of settings to the factory settings.

1. Press the MENU piston.
2. Use the - and + pistons to select the `Reset Procedures` function on the display.
3. Press the SET piston. The display shows the menu for the Reset Procedures.
4. Use the - and + pistons to select the desired procedure.



- **Memory:** Clear the entire capture memory.
- **MIDI:** Resets the factory settings of the MIDI stops.
- **Preset:** Resets the factory settings of the fixed combinations.
- **Crescendo :** Resets the factory settings of the General Crescendo.

5. Press the SET piston. The display requests confirmation.
6. Use the - and + pistons for `No` or `Yes`.
7. Press the SET piston for confirmation.
8. Press the MENU piston to return to the main menu.
9. Press the MENU piston again to exit the Easy Menu.

4.11.8 Data Dump Mode

The Data Dump Mode function sends settings from the organ to a storage medium (for example a sequencer) through the MIDI SEQ. output. See § 3.8.

1. Press the MENU piston.
2. Use the - and + pistons to select the `Data Dump Mode` function on the display.
3. Press the SET piston. The `Press Set to send data` text appears on the display.
4. Make sure the desired storage medium is properly connected.
5. Press the SET piston again. When data is being sent, `Sending data` appears on the display.



Do not use the organ when the `Sending Data` text is on the display.

-
6. Press the MENU piston to return to the main menu.
 7. Press the MENU piston again to exit the Easy Menu.

4.11.9 Demo Songs

The Demo Songs function plays twelve different demo songs.

1. Press the MENU piston.
2. Use the - and + pistons to select the Demo Songs
3. Press the SET piston. The title and composer of the first demo song appear on the display.
4. Use the - and + pistons to select one of the twelve demo songs.
5. Press the SET piston to select a demo song.
6. Use the - and + pistons to choose whether to play the selected demo song (play one) or all demo songs (play all).
7. Press the SET piston to start playing the selected demo song(s) and.
 - a. Press the right 0 piston for several seconds to stop playing the demo song.
 - b. Press the - and + pistons before or during playing to adjust the volume.
8. After playing the demo song(s), press the MENU piston. You return automatically to the main menu.
9. Press the MENU piston again to exit the Easy Menu.

4.11.10 Standard Intonation

The Standard Intonation function saves the desired standard intonation in the memory.

1. Press the MENU piston.
2. Use the - and + pistons to select the Std. Intonation function.
3. Press the SET piston. The display shows the set intonation.
4. Use the - and + pistons to select a (Romantic, Symphonic or Baroque) intonation that must be activated when the organ is switched on.
5. Press the SET piston. The selected intonation is stored in the memory. After this, the Chorus ON/ OFF option appears on the display.
6. Use the - and + pistons to select if the Chorus (CH) accessory is switched on or off when the organ is switched on.
7. Press the SET piston. The selected setting is stored in the memory.



It is only necessary to change the settings of this option if the organ is equipped with a Surround 2.1 system.

-
- a. Use the - and + pistons to select ON or OFF to switch the Surround system on or off. Select OFF to exit the *Std. Intonation* function. Select ON to go to the volume settings of the Surround system.
 - b. Use the - and + pistons to select the volume for the left channel.
 - c. Press the SET piston. The selected volume is stored in the memory.
 - d. Use the - and + pistons to select the volume for the right channel.
 - e. Press the SET piston. The selected volume is stored in the memory. You return automatically to the main menu.
8. Press the MENU piston to exit the Easy Menu.

4.11.11 General Crescendo

With a General Crescendo different registrations can be activated in steps. These registrations start with very quiet (*pianissimo*) to very loud (*tutti*).

Activate the General Crescendo

When the General Crescendo is not activated, the **CR: --** message is on the display.

1. Press the CR piston to activate the General Crescendo. The display indicates which step has been set.

Change the General Crescendo

The default set stop combinations of the crescendo steps can be changed and saved in the memory.



Only step 0 cannot be changed.

1. First press the CR piston and then the MENU piston.
2. Use the - and + pistons to select the step to be changed.
3. Set the desired registration for the step.
4. Press the SET piston.
5. Select another step to be changed, if desired.
6. Press the MENU piston to switch off the programming function.
7. Press the CR piston to switch off the General Crescendo function.

4.11.12 Programming MIDI stops

MIDI is a protocol for communication between the organ and other devices, such as:

- PC
- Sound Module
- Other musical instruments

With the programmable MIDI stops, you can control any module voice through any MIDI channel.

Connecting external device

1. Connect the cable of the external device to the connector MIDI MOD.
2. Put the output cables into AUX IN to hear the MIDI voices through the organ.

Selecting programmable MIDI stop

1. Open the memory lock by turning the key. The SET piston lightens up.
2. Press the desired MIDI stop piston.
3. Use the - and + pistons to select a Memory bank.
4. Press the SET piston.
5. Press the piston of the desired memory location (Generals, Divisionals or Hand Combination).

The selected MIDI stop is programmed into the memory bank of the memory location. Now you can program a MIDI voice on the selected MIDI stop either for an external device or the internal CSM.

Programming voice on MIDI stops for external device

1. Press the MENU piston. `MIDI Program` appears on the display.
2. Press the SET piston to activate the program mode. The selected MIDI stop appears on the display. (For example: MIDI: Swell stops)
3. Use the - and + pistons to select the desired MIDI channel (`Channel:..`).
4. Press the SET piston.



Use the MSB and LSB numbers if the external device has the possibility of more than one voice bank.

You can find the combination of MSB, LSB and voice numbers in the reference manual of the external device.

Use zero as standard value if the external device does not have this kind of possibility.

-
5. Use the - and + pistons to select the desired MSB number (MSB:..)
 6. Press the SET piston.
 7. Use the - and + pistons to select the desired LSB number (LSB:..).
 8. Press the SET piston.
 9. Use the - and + pistons to select the desired MIDI voice number (Voice:..).
 10. Press the SET piston. The selected adjustments are now stored in memory.
 11. Select another MIDI stop to be programmed, if desired.
 12. Press the MENU piston to return to the main menu.
 13. Press the MENU piston again to exit the Easy Menu.

Programming voice on MIDI stops for internal CSM

1. Press the MENU piston. Browse to the CSM with the - and + pistons.
2. Press the SET piston.

The selected MIDI stop appears on the display: MIDI:

Below the selected stop, the voice (instrument), ON/OFF and the number of programmed stops is given.

3. Use the - and + pistons to select the desired MIDI voice.
4. Press the SET piston.

The OFF turns ON and the number of programmed stops increases. The voice is now playable on the MIDI stop.



When you press the SET piston again, the ON turns OFF and the number of programmed stops decreases. The voice is turned off. Hold the CANCEL piston and then press the SET piston if you want to turn off all the voices that are programmed on the selected MIDI stop.

You can repeat steps 1 to 4 to get more voices on the selected MIDI stop.

5. Press the MENU piston to return to the main menu.
6. Press the MENU piston again to exit the Easy Menu.

5 MAINTENANCE, PROBLEMS AND WARRANTY

5.1 Maintenance

Overview

Component	Maintenance	Frequency
Cabinet	Cleaning. See § 5.1.1.	As required
Manuals	Cleaning and removing scratches. See § 5.1.2.	As required

5.1.1 Cabinet maintenance

The cabinet is made of solid wood and wood veneer.



- Do not use furniture polish or teak oil to clean the organ cabinet.
- Direct sunlight may discolour the organ cabinet.

1. Clean the cabinet with a damp cloth.
2. Rub the cabinet dry with a lint-free cloth.

5.1.2 Maintenance of the manuals

The manuals are made of plastic.



Do not use aggressive cleaning agents such as paint thinner or acetone to remove dirt.

1. Clean the manuals with a damp cloth.
2. Rub the manuals dry with a lint-free cloth.
3. Remove any scratches with car polish.

5.2 Problems

Overview

Problem	Cause	Solution
Pedal does not work properly	The pedal magnet is making poor contact with the magnetic switch at the rear of the pedalboard.	Reposition the pedal. See § 5.2.1.
Organ functions do not work properly	The organ is not earthed.	Connect the organ to an electrical outlet with an earth connection.

5.2.1 Repositioning the pedal

1. Make sure the organ is placed on a stable, horizontal surface.
2. Lean the organ slightly backward.
3. Slide the pedal against the pedalboard
4. Set the organ upright.
5. Make sure the pedalboard works properly.
6. Contact your dealer if the pedalboard does not work properly.

5.3 Warranty

The conditions are specified in the warranty certificate. The warranty becomes null and void if changes or repairs are made to the organ by persons or organisations that are not authorised by Johannus Orgelbouw b.v.

6 MIDI IMPLEMENTATIONS

6.1 MIDI Implementation Chart

JOHANNUS Organs
MIDI Implementation Chart

Date: April 2005
Version 1.00

MIDI Implementation Chart

Functions		Transmitted	Recognized	Remarks
Basic Channel	Default Changes	See MIDI Specs See MIDI Specs	See MIDI Specs Y ¹	See MIDI Specs
Mode	Default Messages Altered	Mode 3 N *****	Mode 3 N N	
Note Number	True Voice	36-96 *****		
Velocity	Note ON Note OFF	9nH v=1-127 9nH (v=64) 9nH (v=0)	9nH v=1-127 9nH v=1-127 9nH v=0, 8nH v=*	Velocity ON Velocity OFF *=irrelevant
After Touch	Keys Channels	N N		
Pitch Bend		N		
Control Change	7 11 100/101/6 100/101/6	Y Y Y Y	Y Y Y Y	General volume Expr. pedals Pitch Transposer
Program Change	: True#	See MIDI Specs *****	See MIDI Specs See MIDI Specs	See MIDI Specs See MIDI Specs
System Exclusive		See MIDI Specs	See MIDI Specs	See MIDI Specs
Common	: Song Pos : Song Sel : Tune	N N N	N N N	
System RealTime	: Clock : Commands	N N	N N	
Aux	: Reset All Contr. : Local ON/OFF : All Notes OFF : Active Sense : Reset	N N Y N N	N N Y N N	
Notes		¹ Depends on number of divisions		

Mode 1: OMNY ON, POLY
Mode 3: OMNY OFF, POLY

Mode 2: OMNY ON, MONO
Mode 4: OMNY OFF, MONO

Y = YES
N = NO

6.2 MIDI specifications

This paragraph contains more details about the specifications in the MIDI Implementation Chart.

6.2.1 Default basic channels (transmitted/recognized)

2-manual instrument (with standard keyboard layout):

- 1: Great stops
- 2: Swell stops
- 3: Pedal stops
- 12: Stops

3-manual instrument (with standard keyboard layout):

- 1: Choir
- 2: Great stops
- 3: Swell stops
- 4: Pedal stops
- 12: Stops

4-manual instrument (with standard keyboard layout):

- 1: Solo
- 2: Choir
- 3: Great stops
- 4: Swell stops
- 5: Pedal stops
- 12: Stops

6.2.2 Basic channel changes (transmitted)

Can be programmed with the MIDI program.

6.2.3 Control changes (transmitted)

Controller 7 (07h)	General volume, with volume values 40 (28h) 127 (7Fh).
Controller 11 (0Bh)	Expression pedals, with volume values 63 (3Fh) - 127 (7Fh).
Controller 6 (06h)	Pitch, with pitch values 33 (21h) - 95 (5Fh). Pitch value 64 (40h) = A = 440Hz. The following applies to the pitch: LSB 100 (64h) 1 (01h) and the MSB 101 (65h) 0 (00h). Transposer, with transposer values 61 (3Dh) - 67 (43h). The transposer value 64 (40h) = A = 440Hz. The following applies to the transposer: LSB 100 (64h) 2 (02H) and the MSB 101 (65h) 0 (00h).

6.2.4 Control changes (recognized)

Controller 7 (07h)	General volume, with volume values 0 (00h)- 127 (7Fh).
Controller 11 (0Bh)	Expression pedals, with volume values 0 (00Fh) - 127 (7Fh).

6.2.5 Program changes (transmitted/recognized)

Organ stops: This depends on the number of stops and the sequence of stops.
MIDI stops (programmable): 1-128.

6.2.6 System exclusive messages (transmitted/recognized)

Each 'sys ex' (system exclusive) message largely looks the same. The first 7 bytes and the last byte are always the same. Only the value of the 8th byte varies. This is the 'sys ex message' that Johannus generally uses: F0 00 4A 4F 48 41 53 XX F7 (hexadecimal).

Therefore, with the 'sys ex messages' described below, only the value of the 8th byte (XX) is given, and from which output it is transmitted.

All stops off

The 'all stops off' sys ex code is 7F. This sys ex code is transmitted through the MIDI SEQ. output when the 0 piston is pressed for a long time.

When an 'all stops off' sys ex code is received, all stops on the instrument are switched off.

Piston values

When a piston is pressed, a sys ex code is transmitted with the value of the piston that is pressed (for example PP = 00 P = 01) through the MIDI MOD. output.

These sys ex codes are only important when the Johannus sound module CSM 128 is connected to your instrument.

Other MIDI codes (transmitted)

Press the 0 piston to transmit the sys ex code, 'all stops off' and all volume settings through the MIDI SEQ. output.

Sys ex code stops (Program Changes)

When a MIDI stop is switched on and off, besides the usual Program Change, an extra Program Change code (preceded by the sys ex code 3F) is transmitted through the MIDI SEQ. output. This is to distinguish between a 'normal' organ stop and a MIDI stop before transmitting a module.

When a stop is switched on and off, the following codes are transmitted:

Organ stop: Through MIDI SEQ.: CB XX

MIDI stop: Through MIDI MOD.: CX XX.

Through MIDI SEQ.: CB XX and 3F CX XX

INDEX

A

Accessories	13, 18
Acoustics	16
All swells to swell	19
Antiphonal	19

C

Cantus Firmus	18
Capture memory bank	20
calling up	21
programming	21
CF	18
CH	18
Chorus	18
Connection	6
Controls	
overview for Rembrandt 377 and 397	10
overview for Rembrandt 497	11
Couplers	18
CR	18

D

Data Dump Mode	25
Demo songs	25

E

Expression pedals	9, 16
External connections	14
External loudspeaker output	15

F

FA	18
Factory intonation	17
restore	17
save	17
Fix Accessories	18

G

General Crescendo	18
activate	27
change	27
General Volume	21

I

Intonations	16
-------------	----

K

Keyboard Mode	23
---------------	----

M

Main components	9
Manual Bass	18
MB	18
Memory lock	19
MIDI programming	28

P

Placement	6
Preprogrammed memory locations	19
calling up	19
programming	19
Problems	29

R

Reeds Off	18
Reset Procedures	25
Reversible 32'	18
Reversible coupler	18
RO	18
Rolltop cover	8

S

Standard Intonation	26
Stops	17
Storage	8
Switching on	7

T

Temperaments	22
Toe studs	
overview for Rembrandt 377	12
overview for Rembrandt 397	12
overview for Rembrandt 497	13
Transport	8
Transposer	21
changing	21
programming	22
Tuning Mode	22

W

Warranty 30